

# Robotic Welding Tool Changer

## SW-500

Maximum Payload:..... 990 lbs      450 kg  
 Maximum Moment (X, Y):..... 25000 in-lb      2825 Nm  
 Weight of Coupled Units: ..... 44 lbs      20 kg

See page 2.10.1

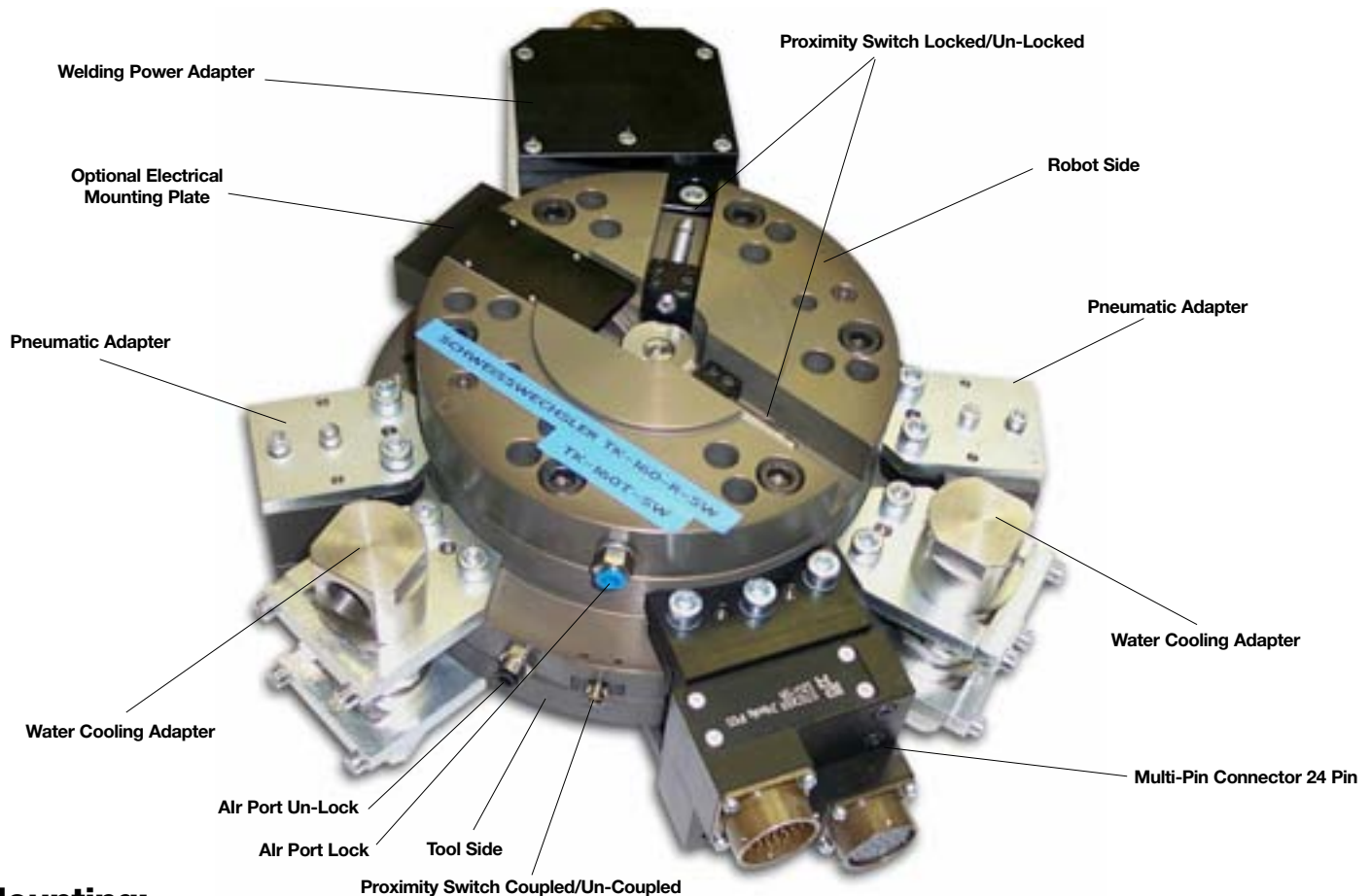
### ISO Robotic Welding Tool Change Adapter.

The IPR SW-500 Welding Tool Changer has been designed and built to meet stringent automobile manufacturer specifications such as DaimlerChrysler, Volkswagen, BMW, Ford and General Motors.

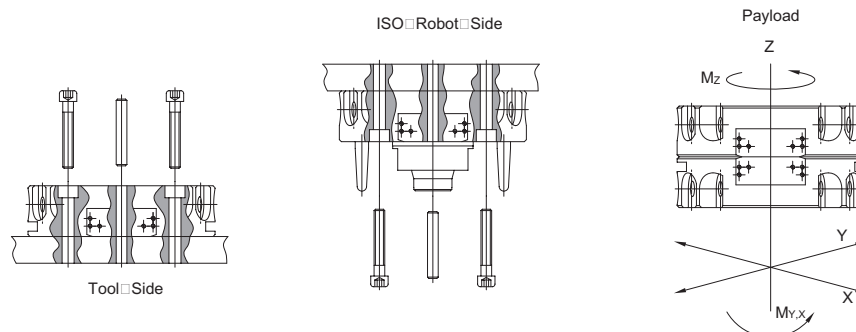
The SW-500 features a high power locking mechanism and high rigidity tool plates for maximum 500 Kg payload, capable of handling most Welding Gun applications. Robot side mounting available for TK-125 and TK-160 meets ISO-9409-1-A 160 and fits any robot flange directly, without any adapter plate.

All components meet or exceed IP-65 rating and have integral DeviceNet Communications for all control and feedback functions with auxiliary 24VDC power connectors and (4) High Amperage welding current connectors. All connectors are "modular" for easy repair and maintenance and the changer is lube-free. World renowned German manufacturing quality and technology at a competitive price makes the SW-500 very attractive.

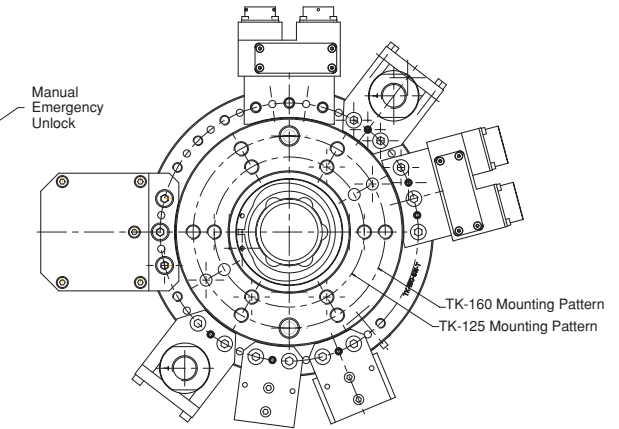
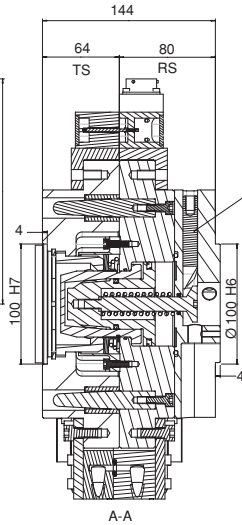
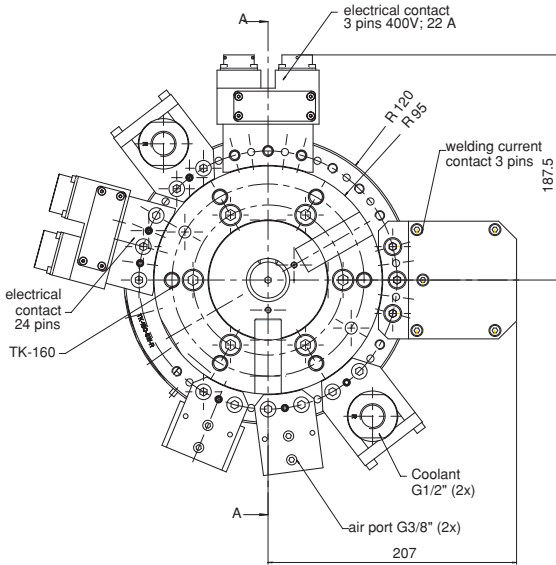
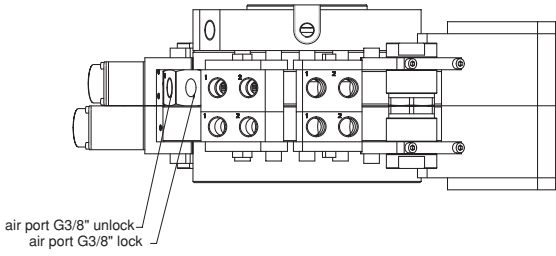
### Features:



### Mounting:



# SW-500 Welding Gun Changer



Specifications:	Imperial	Metric
Maximum Payload:	<b>990 lbs</b>	<b>450 Kg</b>
Weight of Coupled Units:	<b>44 lbs</b>	<b>20 Kg</b>
Pressure Range (Locked Cylinder):	<b>60-120 psi</b>	<b>4-8 bar</b>
Temperature Range:	<b>-30°~180° F</b>	<b>-20°~ 70° C</b>
Repeatability:	<b>±0.002 in</b>	<b>±0.05 mm</b>
Valve required to operate:	<b>4 way, 2 position</b>	
Operating Environment:	<b>Dry, Non-Corrosive</b>	
Electrical 24 Pin Connector:	<b>5 Amps</b>	
Welding Power:	<b>150 Amps</b>	

## Ordering Information:

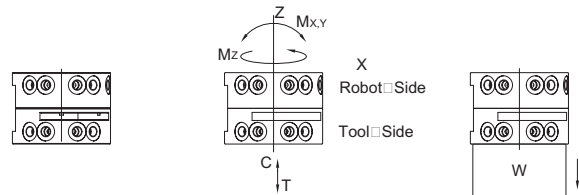
**SW-500-R** (Robot Side. Order Separately)

**SW-500-T** (Tool Side. Order Separately)

### Available Option Descriptions:

- Hydraulic Adaptor-Robot Side - **160SW-HY-R**
- Hydraulic Adaptor-Tool Side - **160SW-H-T**
- Pneumatic Adaptor-Robot Side - **160SW-P2-R**
- Pneumatic Adaptor-Tool Side - **160SW-P2-T**
- Welding Power Conn.-Robot - **160SW-WP-R**
- Welding Power Conn.-Tool - **160SW-WP-T**
- 24 pin Connector-Robot - **SW-EC-24-MIL-R**
- 24 pin Connector-Tool - **SW-EC-24-MIL-T**
- Servo Gun Conn.-Robot - **SW-SVG-R**
- Servo Gun Conn.-Tool - **SW-SVG-T**

## Loading Capacity:



Maximum Force (T):	2250 lbs	10000 N
Maximum Moment (Mx):	25000 in-lbs	2825 Nm
Maximum Moment (My):	25000 in-lbs	2825 Nm
Maximum Moment (Mz):	25000 in-lbs	2825 Nm
Maximum Payload (W):	990 lbs	450 kg

## Robot to Tool Interface:

"Unlocked" Air Pressure Line	G3/8
"Locked" Air Pressure Line	G3/8
Pneumatic Transmission Lines	G3/8 (4x)*
Hydraulic "No-Leak" Ports	G1/2 (2x)*
Signal Transmission w/IP65 Plug-Type Conn.	24-pole
Connector Area Welding Power	25* or 35 mm <sup>2</sup>
Locked-Unlocked Sensor	PNP

\*Standard

